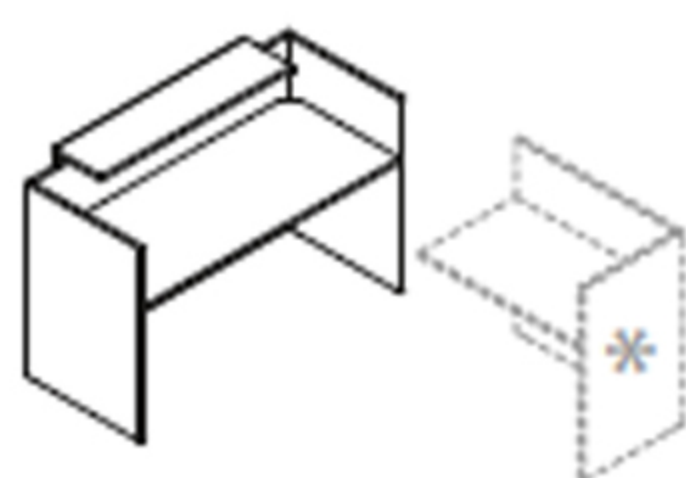


ESEMPI DI COMPONENTABILITA'

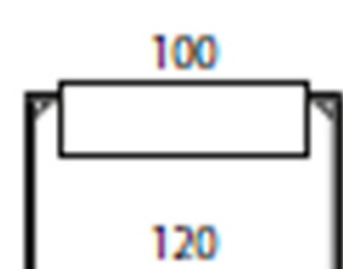
examples of compositions

RECEPTION LINEARE SINGOLA

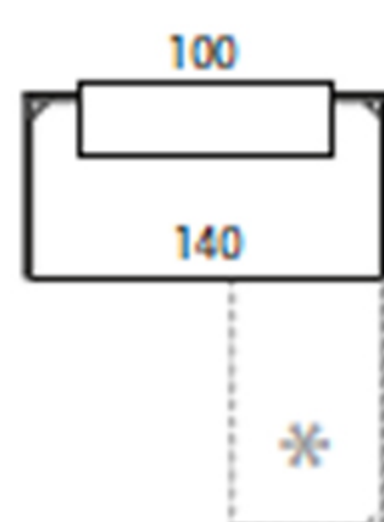
single linear reception



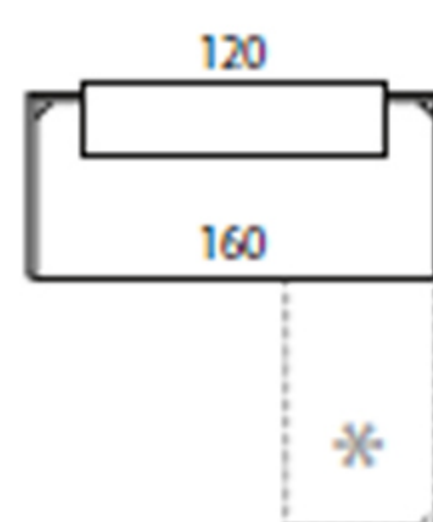
ART.013+045



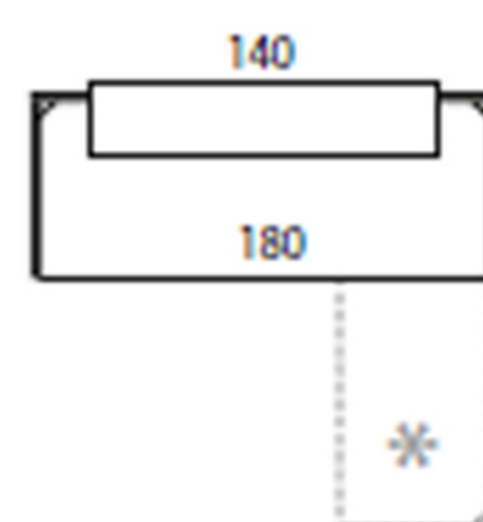
ART.014+045



ART.019+046



ART.020+047

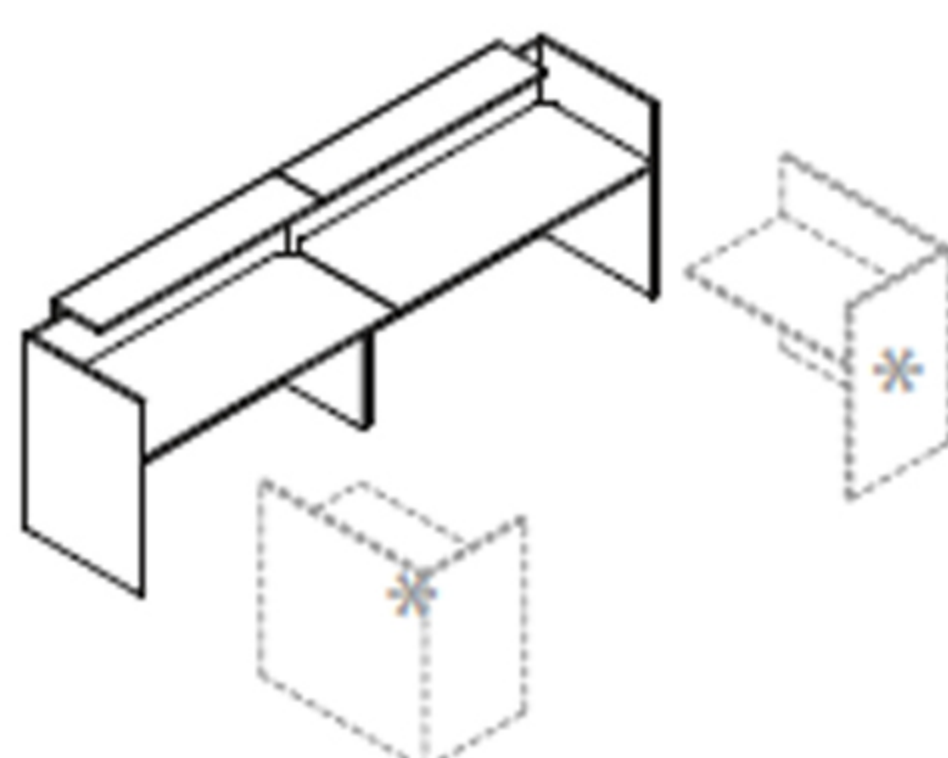


- VISTE IN PIANTA -
- Top view -

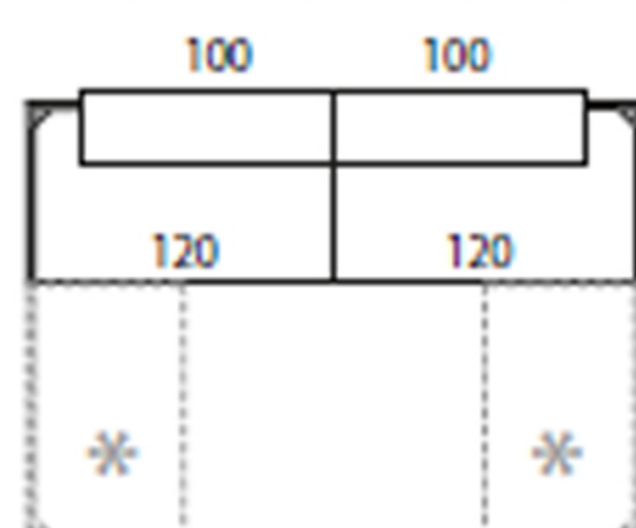
* = POSSIBILITA' DI UTILIZZO ALLUNGO RECEPTION DX O SX
= Possibility to use the right or left extension reception

RECEPTION LINEARE DOPPIA

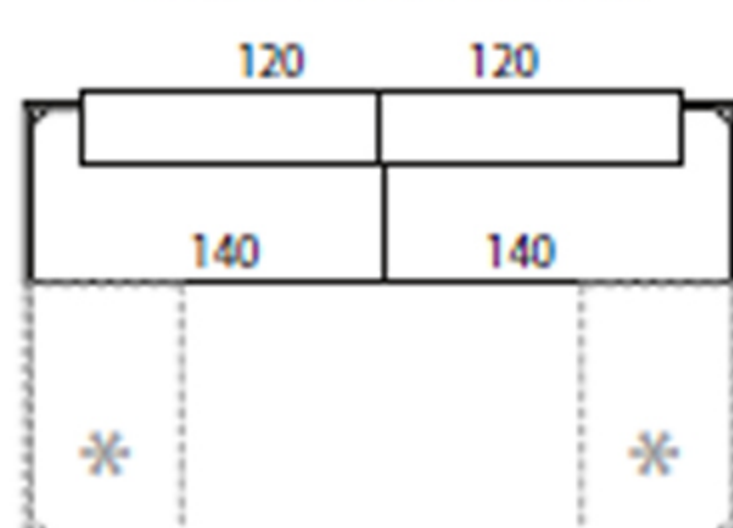
double linear reception



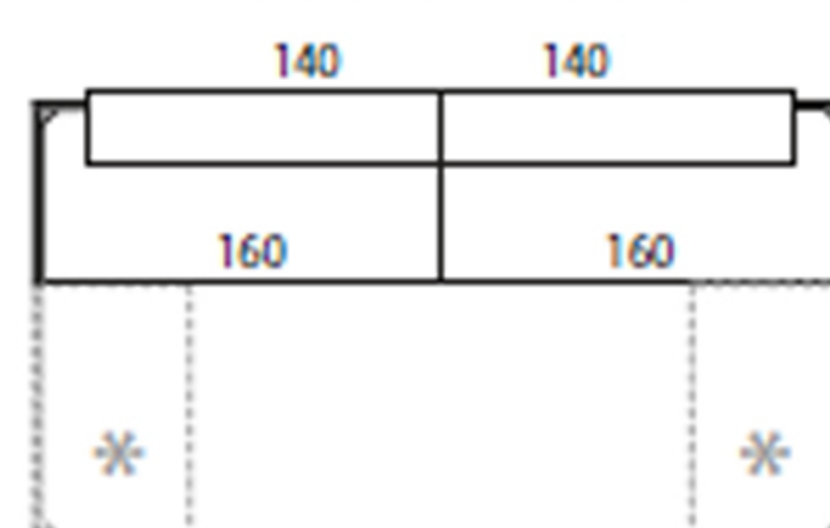
1 ART.022 + 2 ART.045



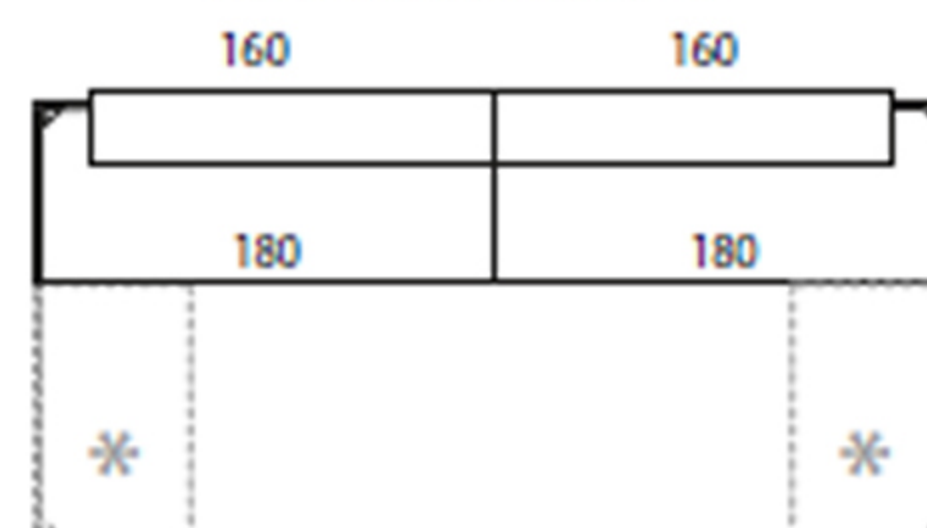
1 ART.023 + 2 ART.046



1 ART.024 + 2 ART.047

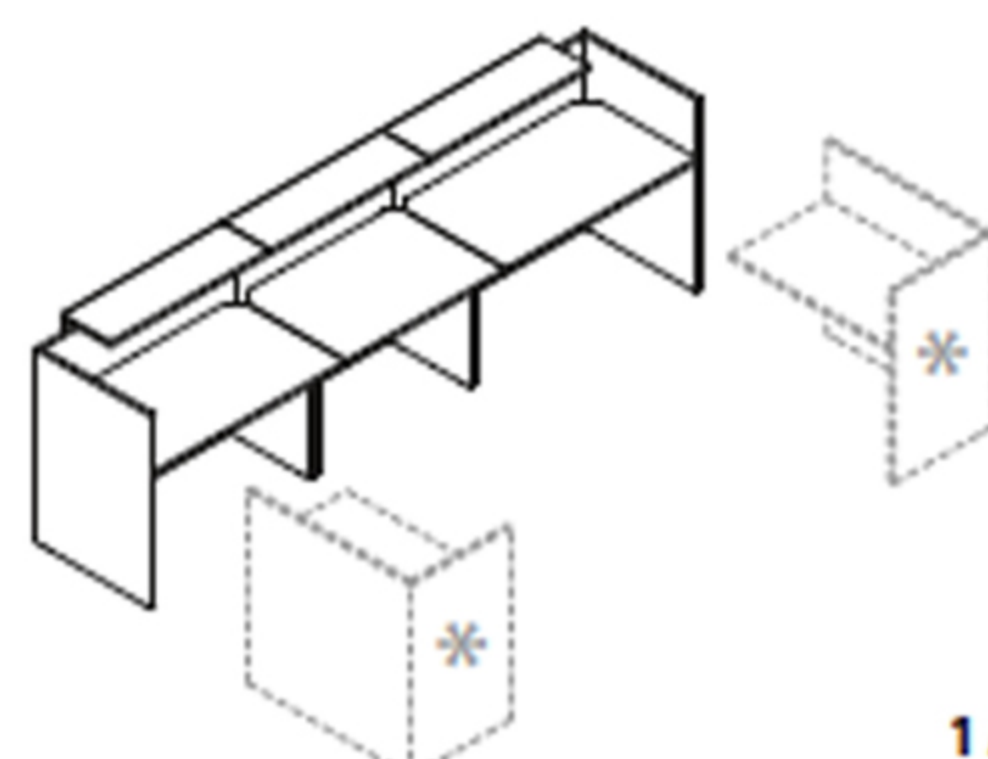


1 ART.025 + 2 ART.048

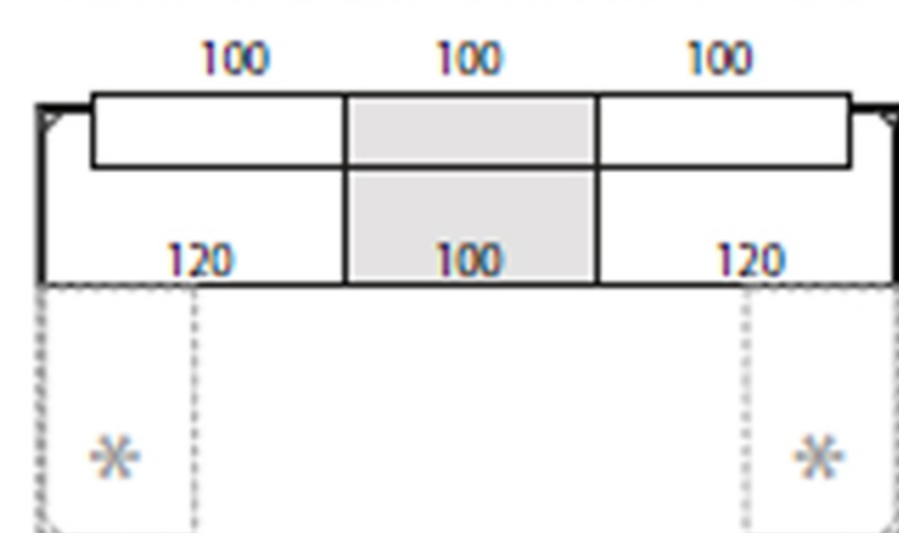


RECEPTION LINEARE CON MODULO PROLUNGA CENTRALE

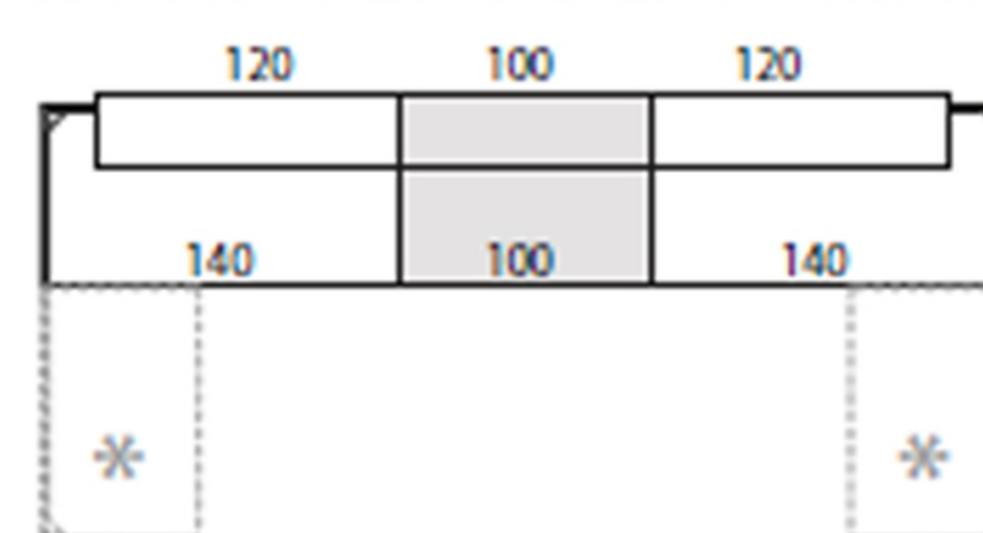
linear reception with central module



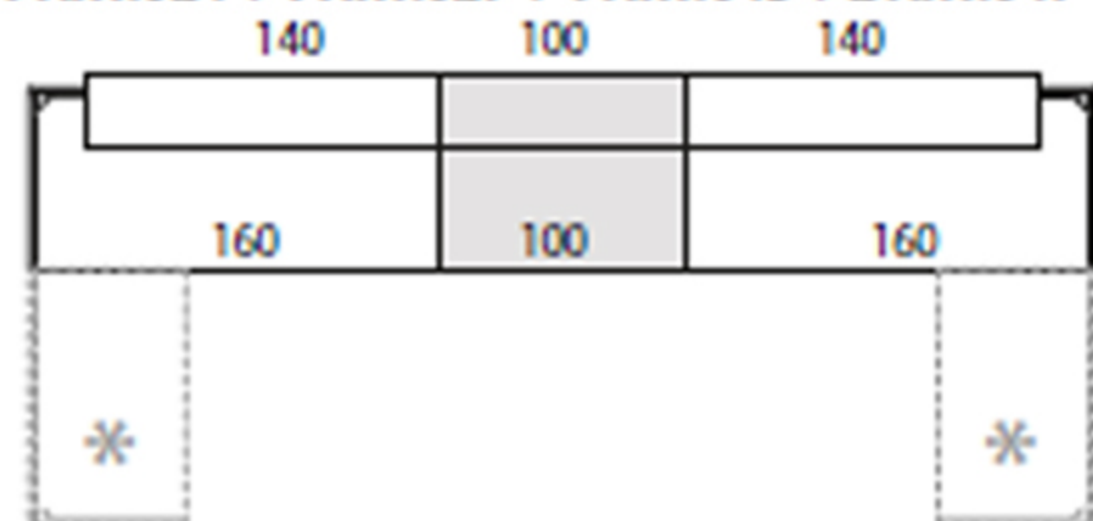
1 ART.022 + 1 ART.027 + 3 ART.045



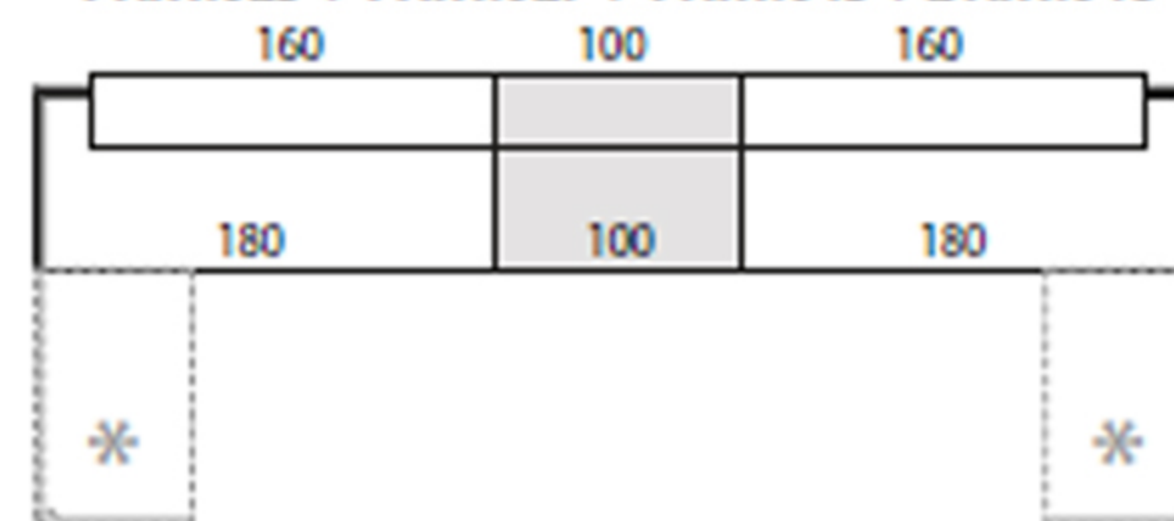
1 ART.023 + 1 ART.027 + 1 ART.045 + 2 ART.046



1 ART.024 + 1 ART.027 + 1 ART.045 + 2 ART.047

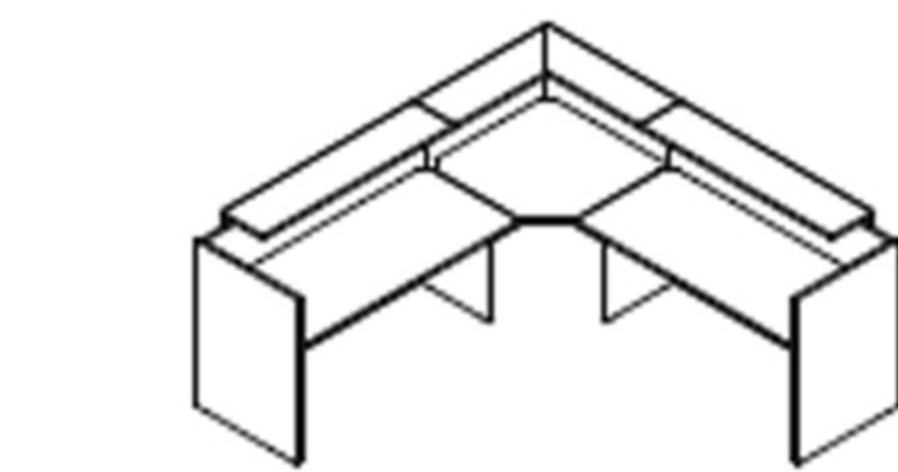


1 ART.025 + 1 ART.027 + 1 ART.045 + 2 ART.048



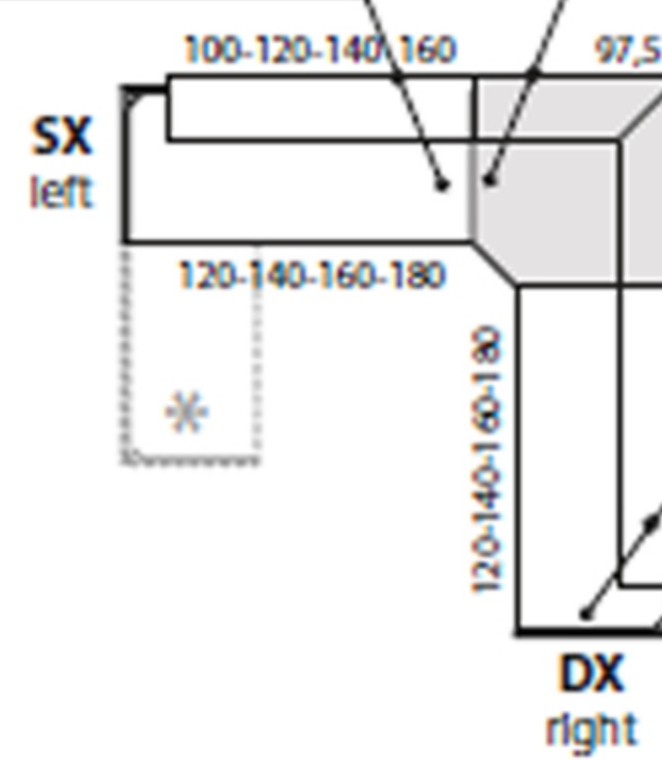
ESEMPI DI COMPONENTABILITA'
examples of compositions

RECEPTION TERMINALI
 CON ANGOLO, PROLUNGA CENTRALE E MODULI CONVERSAZIONE
 terminal reception with corner, central module and conversation modules

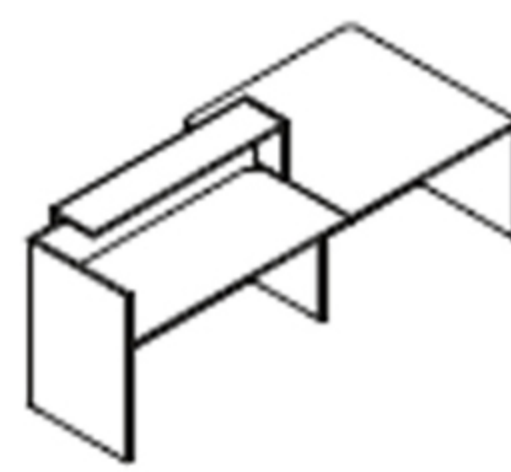


ART.054-055-056-057+
 ART.045-046-047-048+
 LED ART.060-061-062-063

ART.049+
 ART.066+
 LED ART.064

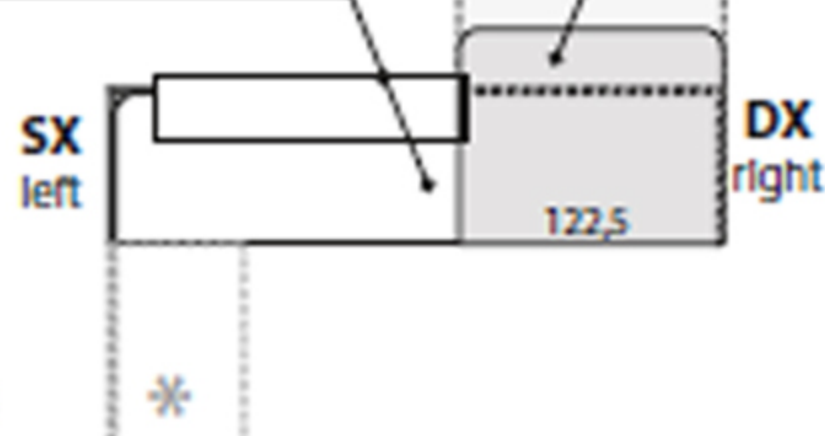


ART.050-051-052-053+
 ART.045-046-047-048+
 LED ART.060-061-062-063

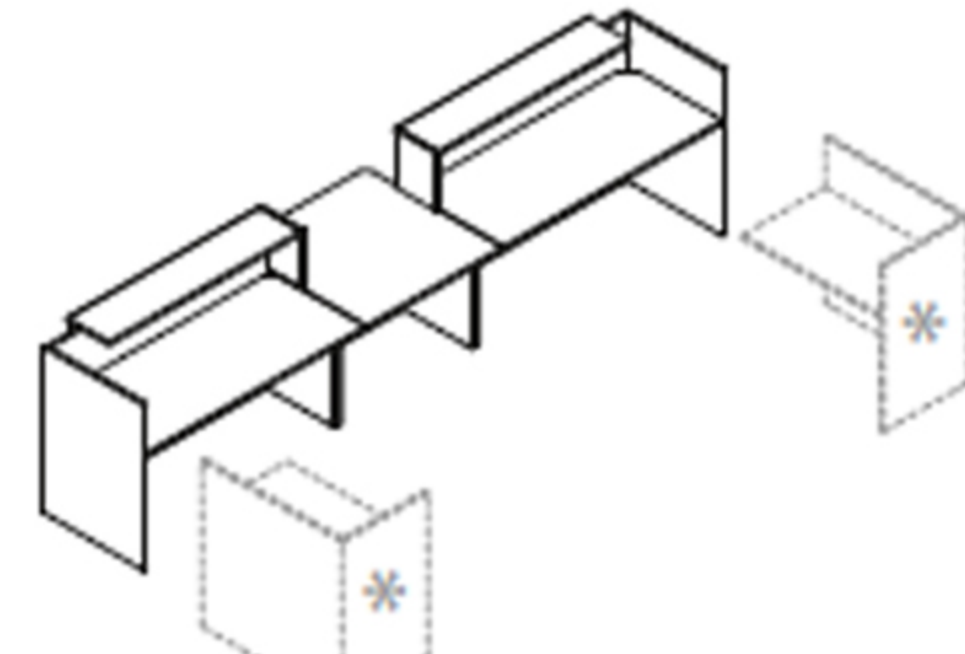


ART.054-055-056-057+
 ART.045-046-047-048+
 LED ART.060-061-062-063

ART.058-069



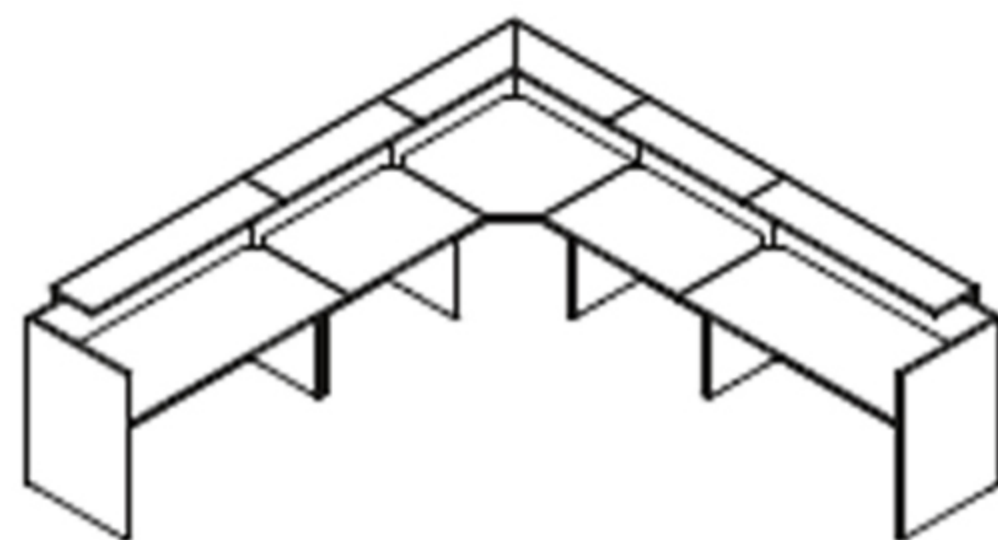
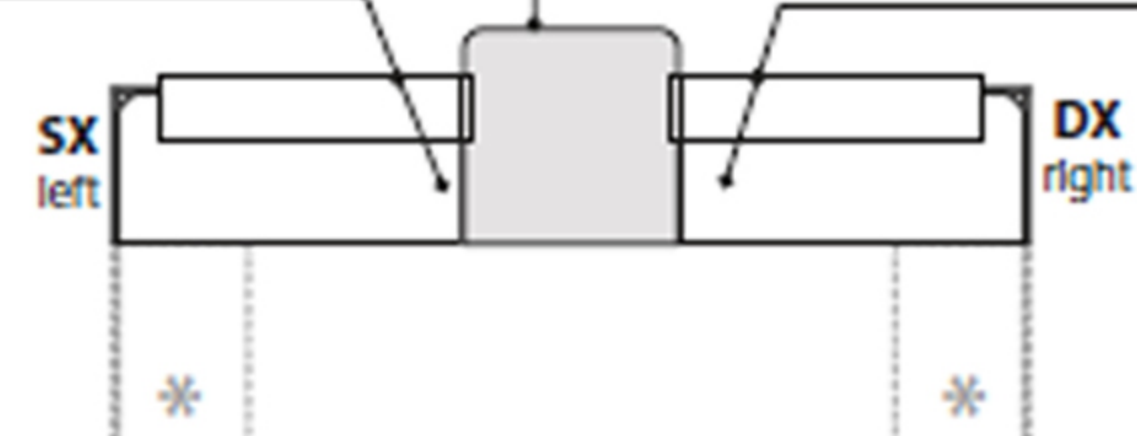
* = SU TUTTE LE RECEPTION TERMINALI C'E
 POSSIBILITA' DI UTILIZZO ALLUNGO RECEPTION DX O SX
 = Possibility to use the right or left extension with
 all terminal reception



ART.054-055-056-057+
 ART.045-046-047-048+
 LED ART.060-061-062-063

ART.028

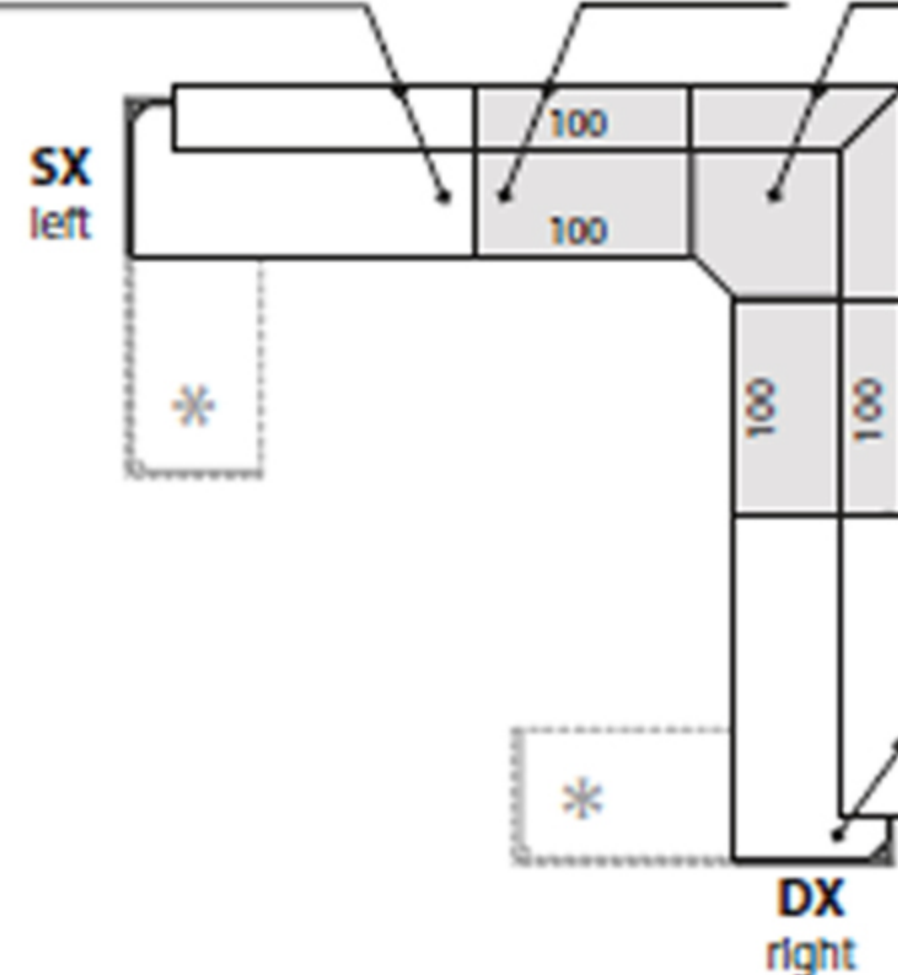
ART.050-051-052-053+
 ART.045-046-047-048+
 LED ART.060-061-062-063



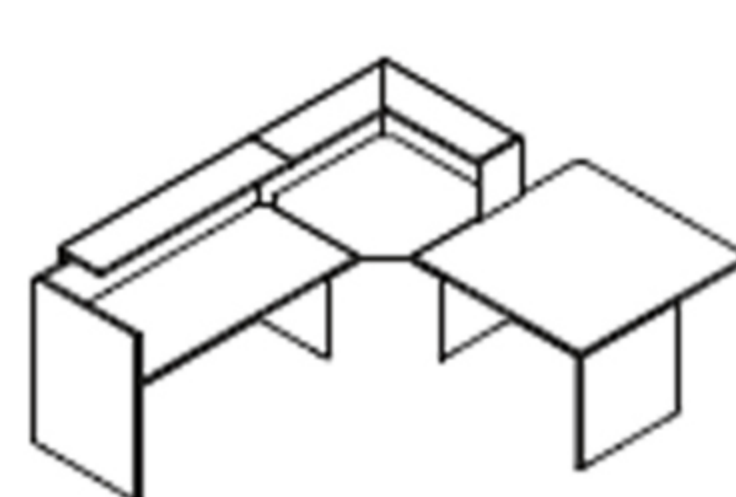
ART.054-055-056-057+
 ART.045-046-047-048+
 LED ART.060-061-062-063

ART.027+
 ART.045+
 LED ART.060

ART.049+
 ART.066+
 LED ART.064

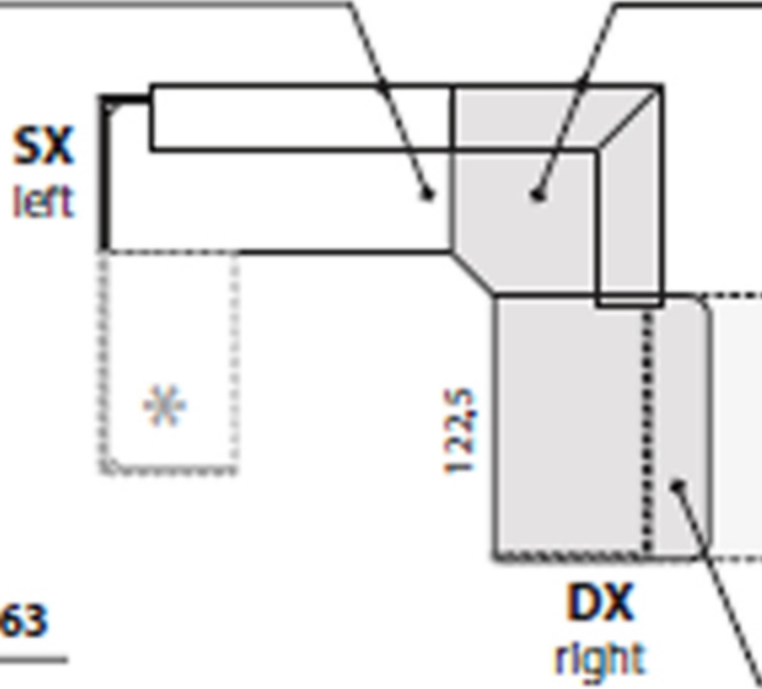


ART.050-051-052-053+
 ART.045-046-047-048+
 LED ART.060-061-062-063

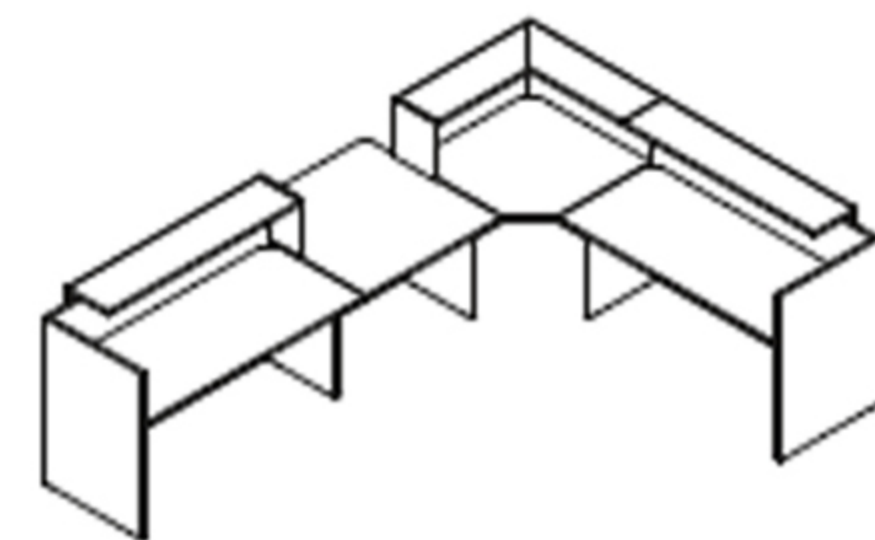


ART.054-055-056-057+
 ART.045-046-047-048+
 LED ART.060-061-062-063

ART.049+
 ART.066+
 LED ART.064



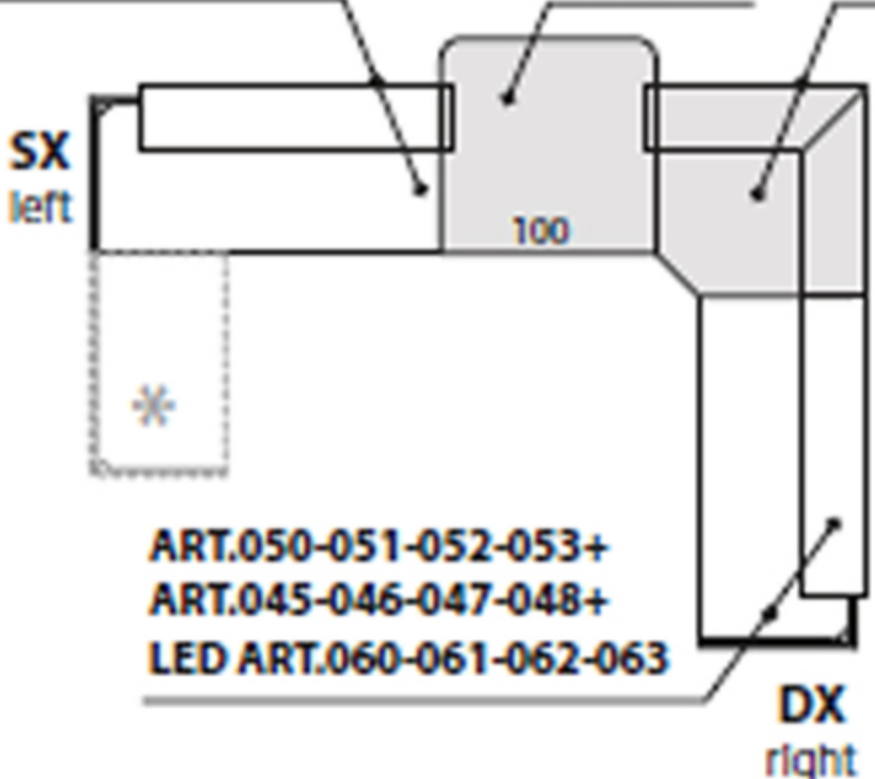
ART.058-069



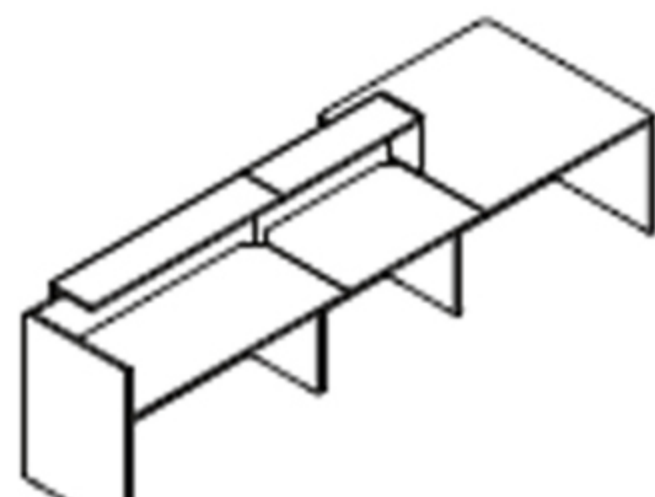
ART.054-055-056-057+
 ART.045-046-047-048+
 LED ART.060-061-062-063

ART.028

ART.049+
 ART.066+
 LED ART.064



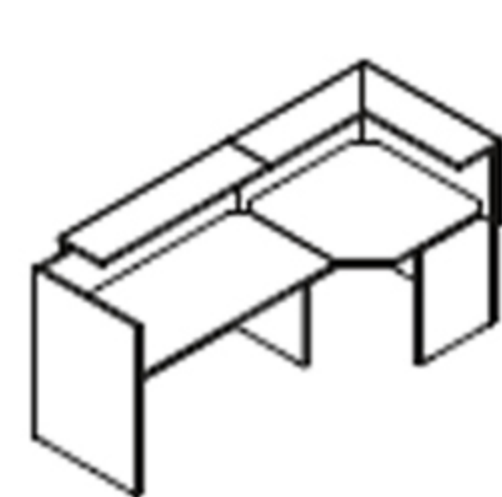
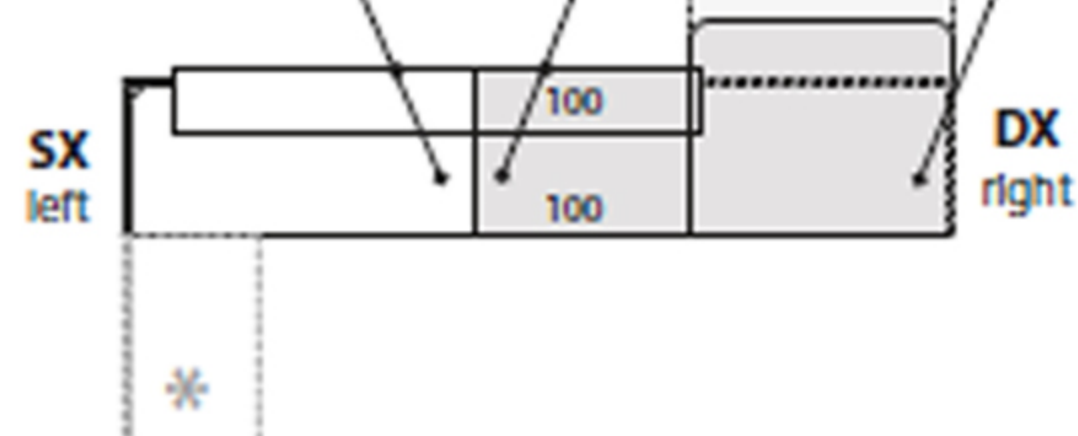
ART.050-051-052-053+
 ART.045-046-047-048+
 LED ART.060-061-062-063



ART.054-055-056-057+
 ART.045-046-047-048+
 LED ART.060-061-062-063

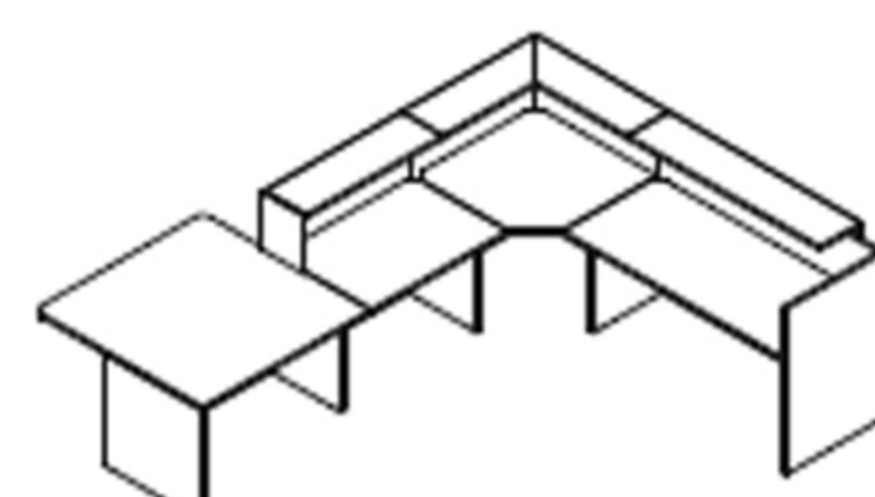
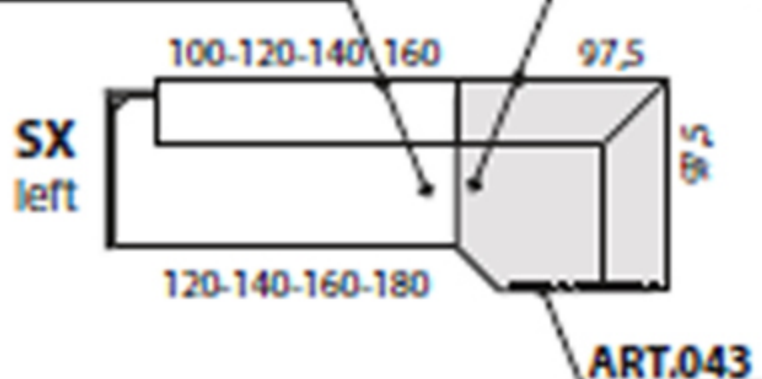
ART.027+
 ART.045+
 LED ART.060

ART.058-069



ART.054-055-056-057+
 ART.045-046-047-048+
 LED ART.060-061-062-063

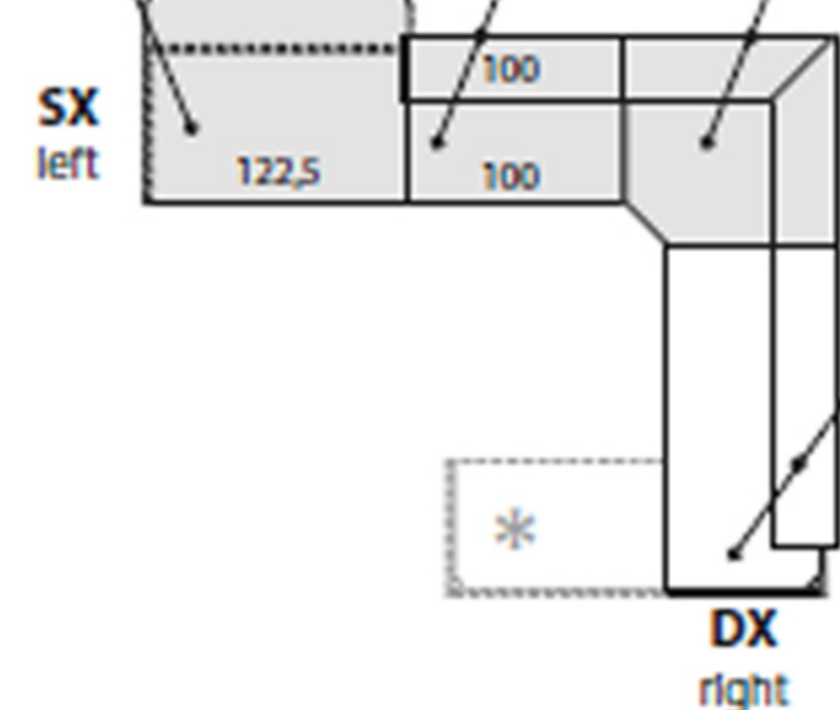
ART.049+
 ART.066+
 LED ART.064



ART.059-070

ART.027+
 ART.045+
 LED ART.060

ART.049+
 ART.066+
 LED ART.064



ART.050-051-052-053+
 ART.045-046-047-048+
 LED ART.060-061-062-063